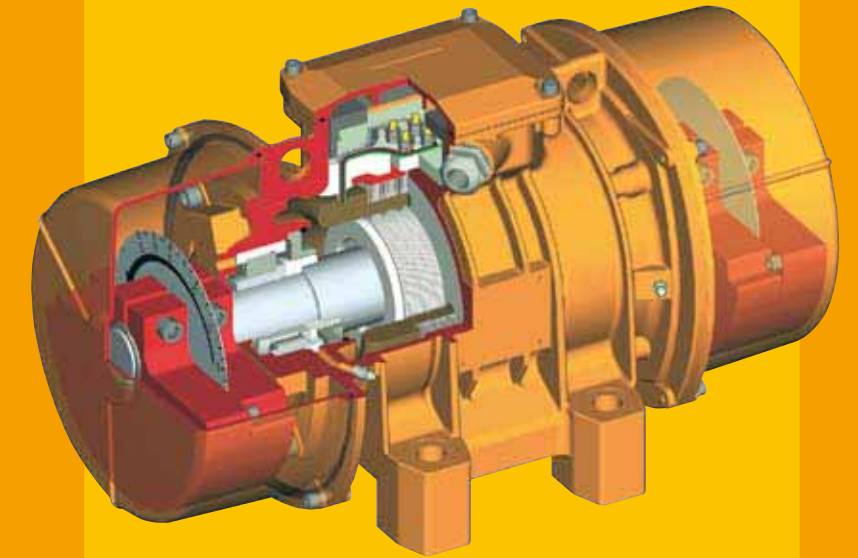




The MVSI series represents the line of reference products for manufacturer's of vibrating machines and plants operating in many industrial sectors and is made up of the largest range on the market, with centrifugal force values up to 26000 Kgf (254kN). It is characterised by state-of-the-art technological evolution in the perspective of continual performance improvements. The MVSI-502 series, now inserted for sizes 00-01-10-20-30-60-70-80-90 and 97, in the implementation phase on the entire range, represents another step forward in the sturdiness and reliability of the product.

The MVSI series has been conceived to guarantee higher performance in all conditions and environments and complies with the most recent IEC and EN international standards for use in atmospheres with potentially explosive powders. In particular, the MVSI series can be used in areas 21 and 22.

- Category:** II 2 D
- Level of protection:** tD A21 IP66
- Temperature class:** see tab. page 20, 27
- EC certificate:** LCIE 05 ATEX 6163 X
- Areas of use:** 21, 22



Technical features

Power supply

Three-phase voltage from 24V to 690V, 50Hz or 60Hz or single-phase 100-130V, 60Hz and 200-240V, 50Hz (single-phase types are supplied without capacitor); suitable for use with an inverter from 20Hz to the base frequency with constant torque load profile.

Polarity

2, 4, 6 and 8 standard poles, 10 and 12 poles on request.

Conformity with European Directives

Low voltage 73/23/CE; Electromagnetic Compatibility 89/336/CE

Reference Regulations

EN 60034-1, EN 50081-1, EN 50081-2, EN 50082-1, EN 50082-2, IEC/EN 61241-0, IEC/EN 61241-1

Functioning

Continual service (S1) at maximum declared centrifugal force and electric power. Intermittent services are also possible depending on the type of vibrator and the operating conditions. For detailed information, contact our technical assistance office.

Centrifugal force

Range extended up to 26000 Kgf. (254 kN), with centrifugal force adjustable from 0 to 100%.

Mechanical protection

IP 66 according to IEC 529, EN 60529.

Shock-proof protection

IK 08 according to IEC 68, EN 50102.

Insulation class

Class F (155°C), class H (180°C) on request.

Tropicalization

Standard on all vibrators, with vacuum impregnation up to gr. AF 33 and 35, with "drop by drop" trickle system for larger sizes.

Environmental temperature

From -30°C to +40°C. Versions for higher or lower temperatures are available on request.

Vibrator heat protection

Standard PTC rated thermistor heat detectors 130°C (DIN 44081-44082) from size 70, on request for smaller sizes. On request, thermistors with different temperatures and anti-condensation heaters.

Fixing of the vibrator

In all positions and therefore without restriction.

Lubrication

All vibrators are lubricated in the factory and do not require further lubrication if used in

normal operating conditions. In heavy duty operating conditions periodical re-lubrication may be applied to size 35 and larger.

Terminal box

Large fixed electrical connections. Special shaped terminals allow to fix the power supply cable, protecting it from loosening.

Electric motor

Three-phase asynchronous type. Designed for maximum starting torques and torque curves specific to requirements of vibrating machines. Insulated windings using vacuum encapsulating up to size 35; using the "drop by drop" trickle system with class H resin for larger sizes. The rotor is die cast aluminium.

Casing

In high-tensile aluminium alloy up to size 35, in ductile cast iron for larger sizes. Patented shape that improves heat dispersion and lowers normal working temperature at full load.

Bearing flange

Constructed in cast iron (ductile or grey) or in aluminium with steel bearing seat. The geometry of the flange transmits the load to the casing uniformly.

Bearings

Custom made with particular geometry, especially designed for Italvibras, suitable to support both high radial and axial loads.

Motor shaft

In treated steel alloy (Isothermic hardening) resistant to stress.

Eccentric weights

Allow continual adjustment of the centrifugal force. This adjustment is realized by a graduated scale, which expresses the centrifugal force as a percentage of the maximum centrifugal force. A patented system (patent N°MO98A000194), called ARS, prevents adjustment errors.

Weight covers

In aluminium alloy. On request, weight covers in stainless steel AISI 316 are available for some models.

Painting

Electrostatic surface treatment based on polymerised epoxy polyester powder in oven at 200°C. Tested in salt spray for 500 hours.

Certifications



Regulation CAN/CSA - C22.2 N. 100-95, file n° LR100948 Class 4211 01 – Motors and generators.



Mechanical protection IP66 (EN 60529), shock-proof protection IK 08 (EN 50102)



II 2 D, tD A21 IP66 IEC/EN 61241-0, IEC/EN 61241-1 Certificate n. LCIE 05 ATEX 6163X

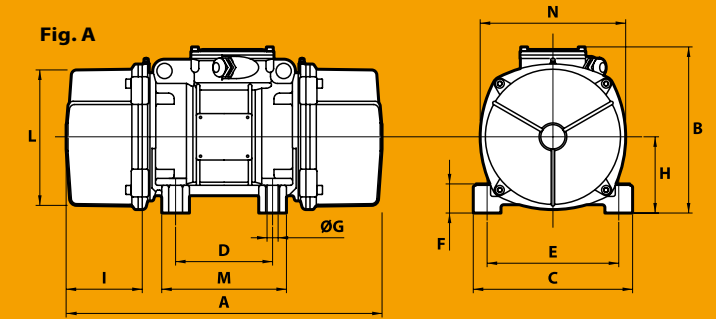


Gost-R certificate for all models of vibrators: GOST 16264.1, GOST 16264.0, GOST R 51689.



Comply with the applicable European Union directives

2 poles - 3000/3600 rpm

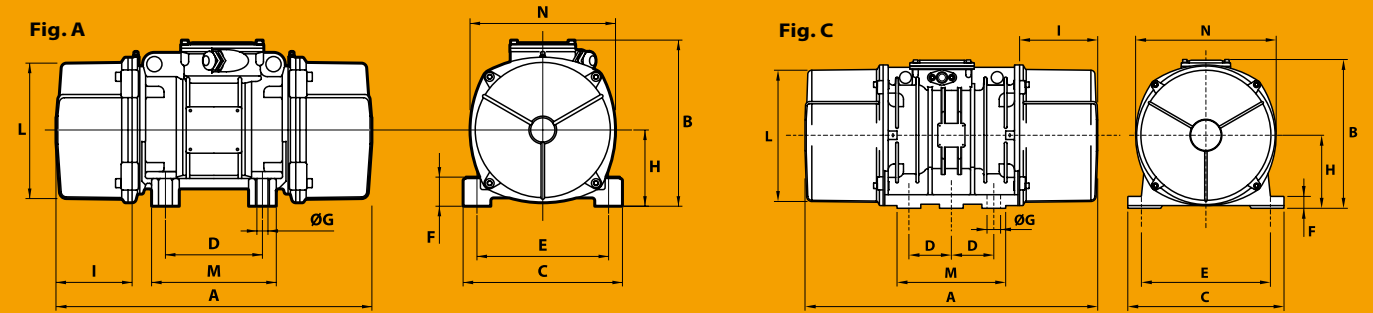


	Description				Mechanical specifications								Electrical specifications				Type	Dimensional specifications (mm)																			
	Code	Type	SIZE	II2D Temp. class	Static moment* kgmm		Centrifugal force				Weight kg		Max input power W		Max. current A			Ia/In		Fig.	A	B	C	D	E	Holes		F	H	I	L	M	N	Capacitor (µF)		Cable entry thread	
					50 Hz	60 Hz	50 Hz	60 Hz	50 Hz	60 Hz	50 Hz	60 Hz	50 Hz	60 Hz	400 V 50 Hz	460 V 60 Hz		50 Hz	60 Hz							øG	N*							220 V 50 Hz	115 V 60 Hz		
three-phase	600311	MVSI 3/100-S02	00	•	120°C	12.0	12.0	121	174	1.19	1.71	5.60	5.60	180	180	0.35	0.30	2.68	3.00	MVSI 3/100-S02	A	211	153	125	62-74**	106	9	4	24	61	46	103	100	117	-	-	M20x1,5
	600312	MVSI 3/200-S02	01	•	120°C	21.0	15.0	211	218	2.07	2.14	6.40	6.20	180	180	0.35	0.30	2.68	3.00	MVSI 3/200-S02	A	235	153	125	62-74**	106	9	4	24	61	58	103	100	117	-	-	M20x1,5
	600313	MVSI 3/300-S02	10	•	120°C	30.1	20.4	304	297	2.98	2.91	9.70	9.20	260	270	0.60	0.50	3.47	4.20	MVSI 3/300-S02	A	255	179	152	90	125	13	4	28	73	54	127	128	141	-	-	M20x1,5
	600314	MVSI 3/500-S02	20	•	120°C	49.9	32.4	503	471	4.93	4.62	14.8	13.8	450	500	0.80	0.75	4.21	4.80	MVSI 3/500-S02	A	288	203	167	105	140	13	4	30	82.5	65	145	140	160	-	-	M25x1,5
	600382	MVSI 3/800-S02	30	•	120°C	78.0	52.0	785	754	7.70	7.40	16.8	15.9	650	685	1.10	1.00	3.83	6.00	MVSI 3/800-S02	A	308	216	205	120	170	17	4	45	93.5	63	170	160	182	-	-	M25x1,5
	600222	MVSI 3/1100-S90	35	•	120°C	110	73.0	1105	1061	10.8	10.4	23.0	22.0	1000	1200	1.75	1.75	3.63	4.00	MVSI 3/1100-S90	A	372	233	205	120	170	17	4	54	104.5	86	187	162	203	-	-	M25x1,5
	600243	MVSI 3/1310-S90	AF33	•	200°C	128	91.6	1290	1327	12.7	13.0	31.0	29.7	1300	1350	2.10	1.90	3.96	4.98	MVSI 3/1310-S90	A	355	213.5	215	100	180	17	4	47	92.5	81.5	164	140	179	-	-	M25x1,5
	600254	MVSI 3/1510-S90	AF50	•	200°C	153	102	1545	1483	15.2	14.5	39.5	38.0	1400	1450	2.30	2.00	4.95	6.12	MVSI 3/1510-S90	A	430	230	230	140	190	17	4	49	104	87.5	186	180	200	-	-	M25x1,5
	600255	MVSI 3/1810-S90	AF50	•	200°C	179	128	1802	1853	17.7	18.2	40.5	39.0	2000	2000	3.30	2.90	4.33	5.50	MVSI 3/1810-S90	A	430	230	230	140	190	17	4	49	104	87.5	186	180	200	-	-	M25x1,5
	600256	MVSI 3/2010-S90	AF50	•	200°C	205	128	2059	1853	20.2	18.2	48.7	46.3	2200	2200	3.50	3.00	4.62	6.00	MVSI 3/2010-S90	A	465	230	230	140	190	17	4	49	104	105	186	180	200	-	-	M25x1,5
	600257	MVSI 3/2310-S90	AF50	•	200°C	230	153	2316	2224	22.7	21.8	49.6	47.1	2200	2200	3.50	3.00	4.62	6.00	MVSI 3/2310-S90	A	465	230	230	140	190	17	4	49	104	105	186	180	200	-	-	M25x1,5
	600199	MVSI 3/3200-S90	AF70	•	135°C	344	215	3457	3112	33.9	30.5	94.0	90.0	4000	4000	6.50	5.60	4.46	5.18	MVSI 3/3200-S90	A	558	304	310	155	255	25	4	90	130	108	233	210	248	-	-	M32x1,5
	600219	MVSI 3/4000-S90	AF70	•	135°C	387	258	3890	3735	38.2	36.6	96.0	92.0	4000	4000	6.50	5.60	4.46	5.18	MVSI 3/4000-S90	A	558	304	310	155	255	25	4	90	130	108	233	210	248	-	-	M32x1,5
600200	MVSI 3/5000-S90	AF70	•	135°C	515	344	5187	4979	50.9	48.8	109	105	5000	5000	7.60	6.90	5.54	7.10	MVSI 3/5000-S90	A	558	304	310	155	255	25	4	90	130	108	233	210	248	-	-	M32x1,5	
600276	MVSI 3/6510-S02	90	•	135°C	630	443	6357	6420	62.4	63.0	184	178	5500	5500	9.20	8.00	6.45	7.20	MVSI 3/6510-S02	A	680	370	390	200	320	28	4	90	180	160	330	270	350	-	-	M32x1,5	
600201	MVSI 3/9000-S90	95	-	135°C	895	619	9007	8970	88.4	88.0	215	210	10000	9300	18.0	13.0	4.39	5.23	MVSI 3/9000-S90	A	629	395	392	200	320	28	4	100	192	135	355	270	375	-	-	M32x1,5	
Single-phase	600311	MVSI 3/100-S02	00	•	120°C	12.0	12.0	121	174	1.19	1.71	5.60	5.60	165	165	0.75	1.52	1.67	2.24	MVSI 3/100-S02	A	211	153	125	62-74**	106	9	4	24	61	46	103	100	117	10	28	M20x1,5
	600312	MVSI 3/200-S02	01	•	120°C	21.0	15.0	211	218	2.07	2.14	6.40	6.20	165	165	0.75	1.52	1.67	2.24	MVSI 3/200-S02	A	235	153	125	62-74**	106	9	4	24	61	58	103	100	117	10	28	M20x1,5
	600313	MVSI 3/300-S02	10	•	120°C	30.1	20.4	304	297	2.98	2.91	9.70	9.20	280	280	1.25	2.40	2.48	3.52	MVSI 3/300-S02	A	255	179	152	90	125	13	4	28	73	54	127	128	141	16	25	M20x1,5
	600314	MVSI 3/500-S02	20	•	120°C	49.9	32.4	503	471	4.93	4.62	14.8	13.8	500	500	2.30	4.50	3.35	4.22	MVSI 3/500-S02	A	288	203	167	105	140	13	4	30	82.5	65	145	140	160	12.5	50	M25x1,5
	600382	MVSI 3/800-S02	30	•	120°C	78.0	52.0	785	754	7.70	7.40	16.8	15.9	700	750	3.25	7.00	4.00	4.14	MVSI 3/800-S02	A	307	210	205	120	170	17	4	45	91.5	51	168	160	178	25	90	M25x1,5

* Working moment = 2 x static moment.

Ia/In = ratio between start-up current and maximum current. ** Slot.

4 poles - 1500/1800 rpm

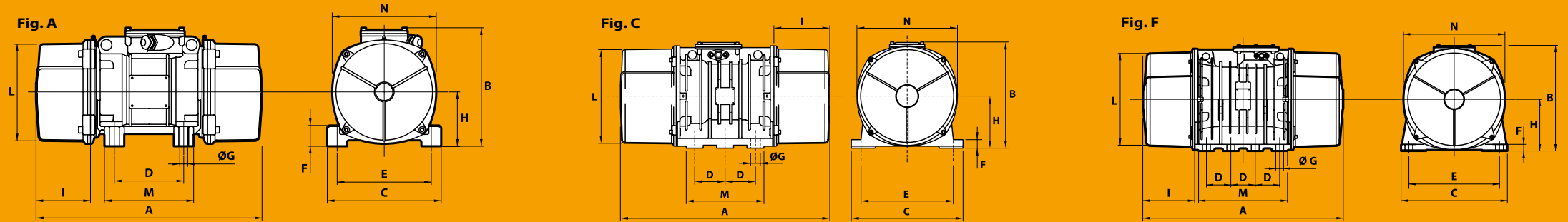


	Description				Mechanical specifications								Electrical specifications				Dimensional specifications (mm)																				
	Code	Type	SIZE	II2D Temp. class	Static moment* kgmm		Centrifugal force				Weight kg		Max input power W		Max. current A		Ia/In		Type	Fig.	A	B	C	D	E	Holes			F	H	I	L	M	N	Capacitor (µF)		Cable entry thread
					50 Hz	60 Hz	50 Hz	60 Hz	50 Hz	60 Hz	50 Hz	60 Hz	50 Hz	60 Hz	400 V 50 Hz	460 V 60 Hz	50 Hz	60 Hz								øG	N°	220 V 50 Hz							115 V 60 Hz		
three-phase	601340	MVSI 15/35-S02	00	•	120°C	12.0	12.0	30.2	43.5	0.30	0.43	5.60	5.60	85	95	0.21	0.20	1.78	1.95	MVSI 15/35-S02	A	211	153	125	62-74**	106	9	4	24	61	46	103	100	117	-	-	M20x1,5
	601341	MVSI 15/80-S02	01	•	120°C	31.0	21.0	77.9	76.1	0.76	0.75	6.70	6.40	85	95	0.21	0.20	1.78	1.95	MVSI 15/80-S02	A	235	153	125	62-74**	106	9	4	24	61	58	103	100	117	-	-	M20x1,5
	601366	MVSI 15/100-S02	01	•	120°C	38.9	31.0	97.9	112	0.96	1.10	7.10	6.70	85	95	0.21	0.20	1.78	1.95	MVSI 15/100-S02	A	249 (50Hz) 235 (60Hz)	153	125	62-74**	106	9	4	24	61	65 (50Hz) 58 (60Hz)	103	100	117	-	-	M20x1,5
	601367	MVSI 15/200-S02	10	•	120°C	84.2	58.8	213	214	2.09	2.10	12.5	11.7	170	170	0.41	0.40	2.34	2.75	MVSI 15/200-S02	A	301	179	152	90	125	13	4	28	73	77	127	128	141	-	-	M20x1,5
	601372	MVSI 15/400-S02	20	•	120°C	163	113	412	411	4.04	4.03	19.0	18.2	300	350	0.60	0.60	3.33	3.50	MVSI 15/400-S02	A	344	203	167	105	140	13	4	30	82.5	93	145	140	160	-	-	M25x1,5
	601373	MVSI 15/550-S02	20	•	120°C	219	163	552	592	5.42	5.81	20.4	19.0	300	350	0.60	0.60	3.33	3.50	MVSI 15/550-S02	A	386	203	167	105	140	13	4	30	82.5	114	145	140	160	-	-	M25x1,5
	601408	MVSI 15/700-S02	30	•	120°C	286	209	720	760	7.06	7.46	23.5	22.2	525	665	0.92	0.98	3.48	3.43	MVSI 15/700-S02	A	394	216	205	120	170	17	4	45	93.5	106	170	160	182	-	-	M25x1,5
	601201	MVSI 15/1100-S90	35	•	120°C	415	271	1045	982	10.3	9.63	35.0	30.5	550	680	0.95	0.95	4.45	4.89	MVSI 15/1100-S90	A	435	233	205	120	170	17	4	54	104.5	117.5	187	162	203	-	-	M25x1,5
	601217	MVSI 15/1410-S90	40	•	120°C	561	400	1413	1449	13.9	14.2	53.0	50.0	900	1050	1.45	1.50	4.10	4.20	MVSI 15/1410-S90	A	448	246	230	140	190	17	4	54	116	108	210	180	225	-	-	M25x1,5
	601219	MVSI 15/1710-S90	50	•	150°C	715	485	1798	1757	17.6	17.2	57.0	54.5	1100	1200	2.00	1.90	4.29	4.89	MVSI 15/1710-S90	A	500	246	230	140	190	17	4	54	116	134	210	180	225	-	-	M25x1,5
	601267	MVSI 15/2000-S90	50	•	170°C	817	561	2054	2033	20.1	19.9	61.5	57.5	1350	1450	2.50	2.30	4.30	4.90	MVSI 15/2000-S90	A	568	246	230	140	190	17	4	54	116	168	210	180	225	-	-	M25x1,5
	601220	MVSI 15/2410-S02	60	•	150°C	962	674	2420	2444	23.7	24.0	81.0	76.0	1600	1700	3.20	3.00	6.09	7.23	MVSI 15/2410-S02	A	537	278	275	155	225	22	4	70	135	137	238	205	253	-	-	M25x1,5
	601268	MVSI 15/3000-S02	60	•	135°C	1235	858	3106	3107	30.5	30.5	90.0	83.5	1900	2000	3.80	3.50	6.50	7.50	MVSI 15/3000-S02	A	617	278	275	155	225	22	4	70	135	177	238	205	253	-	-	M25x1,5
	601221	MVSI 15/3810-S02	70	•	135°C	1526	1034	3840	3744	37.7	36.7	119	110	2200	2500	3.90	3.90	7.11	6.92	MVSI 15/3810-S02	A	584	321	310	155	255	23.5	4	77	157	137	280	215	295	-	-	M25x1,5
	601269	MVSI 15/4300-S02	70	•	135°C	1720	1173	4326	4250	42.4	41.7	123	117	2500	2800	4.80	4.65	5.90	7.10	MVSI 15/4300-S02	A	666 (50Hz) 584 (60Hz)	321	310	155	255	23.5	4	77	157	178 (50Hz) 137 (60Hz)	280	215	295	-	-	M25x1,5
	601211	MVSI 15/5010-S02	80	•	135°C	1990	1364	5007	4941	49.1	48.5	161	153	3600	3400	6.00	5.00	7.02	8.00	MVSI 15/5010-S02	A	630	347	340	180	280	26	4	80	165	150	303	240	320	-	-	M32x1,5
	601165	MVSI 15/7000-S02	90	•	135°C	2598	1822	6536	6600	64.1	64.7	208	195	6000	6000	10.5	9.00	6.48	7.67	MVSI 15/7000-S02	A	680	370	390	200	320	28	4	90	180	160	330	270	350	-	-	M32x1,5
	601166	MVSI 15/9000-S90	95	□	135°C	3260	2260	8199	8183	80.4	80.3	225	210	7000	8000	11.6	11.5	5.43	5.57	MVSI 15/9000-S90	A	629	395	392	200	320	28	4	100	192	135	355	270	375	-	-	M32x1,5
	601204	MVSI 15/9500-S02	97	□	135°C	3346	2462	8416	8916	82.6	87.5	317	303	7500	8500	12.2	12.0	6.56	6.67	MVSI 15/9500-S02	C	862	437	460	125	380	38	6	35	215	230	387	320	414	-	-	M32x1,5
	601205	MVSI 15/11500-S90	100	□	135°C	4544	3166	11430	11467	112	112	433	411	10000	10500	17.5	15.5	7.03	8.00	MVSI 15/11500-S90	C	990	454	530	140	440	45	6	38	230	240	423	370	448	-	-	M32x1,5
601271	MVSI 15/14500-S90	100	□	135°C	5614	4126	14120	14940	138	147	458	424	11000	12000	20.0	20.0	8.00	8.00	MVSI 15/14500-S90	C	990	454	530	140	440	45	6	38	230	240	423	370	448	-	-	M32x1,5	
single-phase	601340	MVSI 15/35-S02	00	•	120°C	12.0	12.0	30.2	43.5	0.30	0.43	5.60	5.60	90	100	0.43	1.00	1.20	1.30	MVSI 15/35-S02	A	211	153	125	62-74**	106	9	4	24	61	46	103	100	117	3.15	25	M25x1,5
	601341	MVSI 15/80-S02	01	•	120°C	31.0	21.0	77.9	76.1	0.76	0.75	6.70	6.40	90	100	0.43	1.00	1.20	1.30	MVSI 15/80-S02	A	235	153	125	62-74**	106	9	4	24	61	58	103	100	117	3.15	25	M25x1,5
	601366	MVSI 15/100-S02	01	•	120°C	38.9	31.0	97.9	112	0.96	1.10	7.10	6.70	90	100	0.43	1.00	1.20	1.30	MVSI 15/100-S02	A	249 (50Hz) 235 (60Hz)	153	125	62-74**	106	9	4	24	61	65 (50Hz) 58 (60Hz)	103	100	117	3.15	25	M25x1,5
	601367	MVSI 15/200-S02	10	•	120°C	84.2	58.8	213	214	2.09	2.10	12.5	11.7	210	230	1.00	2.00	1.50	1.85	MVSI 15/200-S02	A	301	179	152	90	125	13	4	28	73	77	127	128	141	5	25	M25x1,5
	601372	MVSI 15/400-S02	20	•	120°C	163	113	412	411	4.04	4.03	19.0	18.2	240	320	1.20	2.80	2.50	2.21	MVSI 15/400-S02	A	344	203	167	105	140	13	4	30	82.5	93	145	140	160	32/12◐	35	M25x1,5
	601373	MVSI 15/550-S02	20	•	120°C	219	163	552	592	5.42	5.81	20.4	19.0	240	320	1.20	2.80	2.50	2.21	MVSI 15/550-S02	A	386	203	167	105	140	13	4	30	82.5	114	145	140	160	32/12◐	40/35◐	M25x1,5
	601148	MVSI 15/700-S90	30	•	120°C	286	209	720	760	7.06	7.46	23.5	22.2	450	550	2.15	5.15	5.44	3.63	MVSI 15/700-S90	A	381	210	205	120	170	17	4	45	91.5	88	168	160	178	96/16◐	160/40◐	M25x1,5

** Working moment = 2 x static moment. □ CSA certification on request, with feeding line included.

Ia/In = ratio between start-up current and maximum current. ** Slot ◐ Start-up capacitor / Running capacitor.

6 poles - 1000/1200 rpm

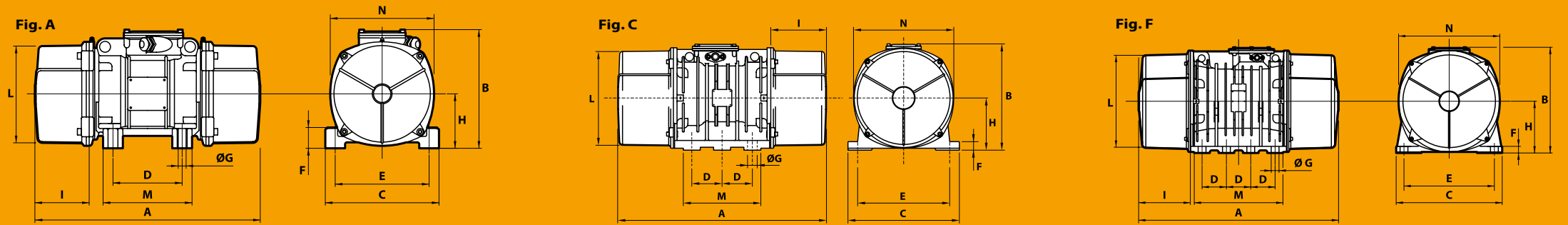


	Description				Mechanical specifications								Electrical specifications				Dimensional specifications (mm)																		
	Code	Type	SIZE	II2D Temp. class	Static moment* kgmm		Centrifugal force				Weight kg		Max input power W		Max. current A		Ia/In		Type	Fig.	A	B	C	D	E	Holes			F	H	I	L	M	N	Cable entry thread
					50 Hz	60 Hz	50 Hz	60 Hz	50 Hz	60 Hz	50 Hz	60 Hz	50 Hz	60 Hz	400 V 50 Hz	460 V 60 Hz	50 Hz	60 Hz								øG	N°								
three-phase	602296	MVSI 10/40-S02	10	•	120°C	30.1	30.1	35.0	49.0	0.331	0.476	9.70	9.70	120	135	0.30	0.30	1.90	2.07	MVSI 10/40-S02	A	255	179	152	90	125	13	4	28	73	54	127	128	141	M20x1,5
	602297	MVSI 10/100-S02	10	•	120°C	84.2	84.2	94.3	136	0.925	1.33	12.5	12.5	120	135	0.30	0.30	1.90	2.07	MVSI 10/100-S02	A	301	179	152	90	125	13	4	28	73	77	127	128	141	M20x1,5
	602298	MVSI 10/200-S02	20	•	120°C	163	163	183	264	1.80	2.59	19.0	19.0	185	205	0.50	0.50	2.72	3.10	MVSI 10/200-S02	A	344	203	167	105	140	13	4	30	82.5	93	145	140	160	M25x1,5
	602314	MVSI 10/310-S02	30	•	120°C	286	209	321	338	3.15	3.32	23.5	22.2	350	380	0.72	0.68	2.63	2.79	MVSI 10/310-S02	A	394	216	205	120	170	17	4	45	93.5	106	170	160	182	M25x1,5
	602150	MVSI 10/550-S90	35	•	120°C	457	457	512	737	5.02	7.23	36.5	36.5	350	380	0.75	0.68	2.53	3.68	MVSI 10/550-S90	A	435	233	205	120	170	17	4	54	104.5	117.5	187	162	203	M25x1,5
	602161	MVSI 10/810-S90	40	•	135°C	723	561	809	905	7.94	8.88	54.0	50.0	680	760	1.40	1.35	2.79	3.33	MVSI 10/810-S90	A	500 (50Hz) 448 (60Hz)	246	230	140	190	17	4	54	116	134 (50Hz) 108 (60Hz)	210	180	225	M25x1,5
	602162	MVSI 10/1110-S90	50	•	135°C	1012	715	1132	1151	11.1	11.3	64.0	57.0	750	750	1.65	1.50	3.33	4.13	MVSI 10/1110-S90	A	568 (50Hz) 500 (60Hz)	246	230	140	190	17	4	54	116	168 (50Hz) 134 (60Hz)	210	180	225	M25x1,5
	602228	MVSI 10/1400-S90	50	•	170°C	1274	904	1424	1483	14.0	14.5	78.0	71.0	950	1000	1.80	1.70	3.05	3.65	MVSI 10/1400-S90	A	568	246	230	140	190	17	4	54	116	168	210	180	225	M25x1,5
	602165	MVSI 10/1610-S02	60	•	135°C	1464	962	1638	1549	16.1	15.2	93.0	81.0	1100	1300	2.20	2.20	4.21	4.05	MVSI 10/1610-S02	A	617 (50Hz) 537 (60Hz)	278	275	155	225	22	4	70	135	177 (50Hz) 137 (60Hz)	238	205	253	M25x1,5
	602229	MVSI 10/2100-S02	60	•	200°C	1927	1318	2154	2102	21.1	20.6	105	92.0	1500	1770	3.00	2.75	3.42	4.00	MVSI 10/2100-S02	A	617 (50Hz) 537 (60Hz)	278	275	155	225	22	4	70	135	177 (50Hz) 137 (60Hz)	238	205	253	M25x1,5
	602167	MVSI 10/2610-S02	70	•	135°C	2326	1706	2601	2747	25.5	26.9	130	116	1960	2100	4.10	3.75	5.35	5.60	MVSI 10/2610-S02	A	666	321	310	155	255	23.5	4	77	157	178	277	215	295	M25x1,5
	602230	MVSI 10/3000-S02	70	•	135°C	2690	1940	3007	3124	29.5	30.6	145	130	2200	2400	4.50	4.30	4.35	4.81	MVSI 10/3000-S02	A	706	321	310	155	255	23.5	4	77	157	198	277	215	295	M25x1,5
	602154	MVSI 10/3810-S02	80	•	135°C	3422	2380	3826	3831	37.5	37.6	188	170	2500	3000	5.10	5.00	5.91	6.00	MVSI 10/3810-S02	A	734	347	340	180	280	26	4	80	165	200	303	240	320	M32x1,5
	602204	MVSI 10/4700-S02	80	•	135°C	4206	2887	4701	4648	46.1	46.0	204	183	3200	3600	6.50	6.00	5.24	5.50	MVSI 10/4700-S02	A	796	347	340	180	280	26	4	80	165	233	303	240	320	M32x1,5
	602138	MVSI 10/5200-S02	90	•	135°C	4658	3288	5208	5293	51.1	51.9	238	215	3800	4000	7.00	6.50	4.71	5.08	MVSI 10/5200-S02	A	740	370	390	200	320	28	4	90	180	190	330	270	350	M32x1,5
	602091	MVSI 10/6500-S02	90	•	135°C	5838	4055	6527	6529	64.0	64.0	268	258	4300	5000	8.20	8.10	4.51	5.83	MVSI 10/6500-S02	A	840	370	390	200	320	28	4	90	180	240	330	270	350	M32x1,5
	602136	MVSI 10/6600-S02 [▲]	97	□	135°C	6083	3979	6799	6405	66.7	62.8	285	257	5000	5900	10.0	9.80	5.61	5.82	MVSI 10/6600-S02 [▲]	C	750	437	460	125	380	38	6	35	215	174	387	320	414	M32x1,5
	602092	MVSI 10/8000-S90	95	□	135°C	7197	4967	8046	7996	78.9	78.4	315	277	7000	7500	12.6	11.3	4.59	5.58	MVSI 10/8000-S90	A	870	395	392	200	320	28	4	100	192	255	355	270	375	M32x1,5
	602093	MVSI 10/9000-S90	95	□	135°C	7752	5385	8666	8669	85.0	85.0	326	289	7500	8200	14.0	12.9	4.13	4.88	MVSI 10/9000-S90	A	870	395	392	200	320	28	4	100	192	255	355	270	375	M32x1,5
	602137	MVSI 10/10000-S02	97	□	135°C	8673	5664	9695	9117	95.1	89.4	381	340	7600	8000	13.5	12.4	4.72	4.92	MVSI 10/10000-S02	C	862	437	460	125	380	38	6	35	215	230	387	320	414	M32x1,5
602134	MVSI 10/12000-S90 [▲]	100	□	135°C	10996	7543	12294	12141	119	119	500	445	9000	9500	16.3	15.0	5.21	5.73	MVSI 10/12000-S90 [▲]	C	990	454	530	140	440	45	6	38	230	240	420	370	448	M32x1,5	
602227	MVSI 10/13000-S02	97	□	135°C	11510	8158	12867	13130	126	129	420	382	9600	10000	17.0	16.0	4.98	5.00	MVSI 10/13000-S02	C	1002	437	460	125	380	38	6	35	215	300	387	320	414	M32x1,5	
602142	MVSI 10/15000-S90 [▲]	105	□	135°C	12662	8700	14155	14004	139	137	643	605	10600	11270	19.0	18.0	5.88	5.78	MVSI 10/15000-S90 [▲]	F	960	526	570	140	480	45	8	41	268	200	495	545	516	M32x1,5	
602143	MVSI 10/17500-S90	105	□	135°C	15500	10439	17327	16804	170	165	705	656	13000	13700	24.5	23.0	5.71	5.96	MVSI 10/17500-S90	F	1040	526	570	140	480	45	8	41	268	240	495	545	516	M32x1,5	
602244	MVSI 10/19500-S90	105	□	135°C	17947	-	20062	-	197	-	711	-	14000	-	25.5	-	5.49	-	MVSI 10/19500-S90	F	1120	526	570	140	480	45	8	41	268	280	495	545	516	M32x1,5	
602144	MVSI 10/22000-S90	110	□	135°C	20025	12533	22386	20208	220	198	926	896	19000	19000	33.0	25.5	4.67	5.88	MVSI 10/22000-S90	F	1150	607	610	140	520	45	8	38	297	297.5	542	510	582	M32x1,5	
602273	MVSI 10/25000-S90	110	□	135°C	22364	-	25000	-	245	-	960	-	19000	-	33.0	-	4.67	-	MVSI 10/25000-S90	F	1150	607	610	140	520	45	8	38	297	297.5	542	510	582	M32x1,5	

* Working moment = 2 x static moment. [▲] For special application. [□] CSA certification on request, with feeding line included.

Ia/In = ratio between start-up current and maximum current.

8 poles - 750/900 rpm



	Description				Mechanical specifications						Electrical specifications				Type	Dimensional specifications (mm)																			
	Code	Type	SIZE	II2D Temp. class	Static moment* kgmm		Centrifugal force				Weight kg		Max input power W			Max. current A		Ia/In		Fig.	A	B	C	D	E	Holes			L	M	N	Cable entry thread			
					50 Hz	60 Hz	50 Hz	60 Hz	50 Hz	60 Hz	50 Hz	60 Hz	50 Hz	60 Hz		400 V 50 Hz	460 V 60 Hz	50 Hz	60 Hz							øG	N°	F					H	I	
three-phase	602568	MVSI 075/150-S02	20	•	130°C	163	163	104	149	1.02	1.46	19.0	19.0	230	250	0.85	0.76	2.13	2.11	MVSI 075/150-S02	A	344	203	167	105	140	13	4	30	82.5	93	145	140	160	M25x1,5
	602575	MVSI 075/250-S02	30	•	130°C	286	286	181	260	1.76	2.55	23.5	23.5	350	380	1.10	1.05	2.03	2.29	MVSI 075/250-S02	A	394	216	205	120	170	17	4	45	93.5	106	170	160	182	M25x1,5
	602865	MVSI 075/400-S90	35	•	120°C	457	457	288	415	2.83	4.07	36.5	36.5	280	300	0.60	0.68	1.73	2.94	MVSI 075/400-S90	A	435	233	205	120	170	17	4	54	104.5	117.5	187	162	203	M25x1,5
	602888	MVSI 075/660-S90	40	•	120°C	723	723	456	656	4.47	6.44	54.0	54.0	400	450	1.20	1.20	2.38	2.58	MVSI 075/660-S90	A	500	246	230	140	190	17	4	54	116	134	210	180	225	M25x1,5
	602889	MVSI 075/910-S90	50	•	120°C	1012	1012	637	917	6.25	9.00	64.0	64.0	400	500	1.40	1.30	2.38	2.85	MVSI 075/910-S90	A	568	246	230	140	190	17	4	54	116	168	210	180	225	M25x1,5
	602890	MVSI 075/1310-S02	60	•	150°C	1464	1464	922	1327	9.04	13.0	93.0	93.0	950	1100	2.20	2.20	2.63	3.41	MVSI 075/1310-S02	A	617	278	275	155	225	22	4	70	135	177	238	205	253	M25x1,5
	602550	MVSI 075/1750-S02	60	•	150°C	1927	1927	1214	1747	11.9	17.1	105	105	1100	1300	2.60	2.60	2.78	3.04	MVSI 075/1750-S02	A	617	278	275	155	225	22	4	70	135	177	238	205	253	M25x1,5
	602891	MVSI 075/2110-S02	70	•	135°C	2326	2326	1463	2107	14.4	20.7	130	130	1500	1790	4.10	4.20	3.55	2.95	MVSI 075/2110-S02	A	666	321	310	155	255	23.5	4	77	157	178	280	215	295	M25x1,5
	602884	MVSI 075/3110-S02	80	•	135°C	3422	3422	2152	3099	21.1	30.4	188	188	2000	2300	5.40	5.20	3.98	4.62	MVSI 075/3110-S02	A	734	347	340	180	280	26	4	80	165	202	303	240	320	M32x1,5
	602515	MVSI 075/3800-S02	80	•	135°C	4206	4206	2645	3808	25.9	37.4	204	204	2500	3000	6.00	6.00	4.00	4.20	MVSI 075/3800-S02	A	796	347	340	180	280	26	4	80	165	233	303	240	320	M32x1,5
	602862	MVSI 075/4200-S02	90	•	135°C	4658	4658	2930	4218	28.7	41.4	238	238	2800	3350	6.50	6.50	3.84	4.00	MVSI 075/4200-S02	A	740	370	390	200	320	28	4	90	180	190	330	270	350	M32x1,5
	602826	MVSI 075/5300-S02	90	•	135°C	5838	5838	3672	5287	36.0	51.9	268	268	4000	4300	8.20	7.85	3.87	5.35	MVSI 075/5300-S02	A	840	370	390	200	320	28	4	90	180	240	330	270	350	M32x1,5
	602827	MVSI 075/6500-S90	95	□	135°C	7197	7197	4526	6517	44.4	63.9	315	315	4900	5800	9.90	9.50	3.04	3.26	MVSI 075/6500-S90	A	870	395	392	200	320	28	4	100	192	255	355	270	375	M32x1,5
	602551	MVSI 075/6800-S02 ▲	97	□	135°C	7340	7340	4616	6647	45.3	65.2	330	330	5600	6000	10.5	10.0	3.12	3.30	MVSI 075/6800-S02 ▲	C	862	437	460	125	380	38	6	35	215	230	387	320	414	M32x1,5
	602870	MVSI 075/10000-S02	97	□	135°C	12390	10973	7792	9937	76.4	97.5	438	419	6800	7450	13.2	12.0	3.33	3.92	MVSI 075/10000-S02	C	1002	437	460	125	380	38	6	35	215	300	387	320	414	M32x1,5
	602863	MVSI 075/12000-S90	100	□	135°C	13816	12407	8689	11235	85.2	110	540	520	7600	8300	14.0	13.5	3.72	3.78	MVSI 075/12000-S90	C	1070	454	530	140	440	45	6	38	230	280	423	370	448	M32x1,5
602871	MVSI 075/14000-S90	105	□	135°C	17946	15500	11285	14036	111	138	702	680	9200	9600	21.0	19.5	4.99	5.44	MVSI 075/14000-S90	F	1040	526	570	140	480	45	8	41	268	240	485	545	516	M32x1,5	
602872	MVSI 075/17000-S90	105	□	135°C	21337	19064	13418	17263	132	169	755	711	10400	11140	22.0	20.0	5.50	5.90	MVSI 075/17000-S90	F	1120	526	570	140	480	45	8	41	268	280	485	545	516	M32x1,5	
602873	MVSI 075/22000-S90	110	□	135°C	28633	24508	18005	22192	177	218	1015	981	12500	16200	26.5	28.0	5.63	4.71	MVSI 075/22000-S90	F	1150	607	610	140	520	45	8	38	297	297.5	542	510	582	M32x1,5	
602535	MVSI 075/26000-S90	110	□	135°C	-	28633	-	25927	-	254	-	1015	-	-	16200	-	28.0	-	4.71	MVSI 075/26000-S90	F	1150	607	610	140	520	45	8	38	297	297.5	542	510	582	M32x1,5

* Working moment = 2 x static moment. ▲ For special application. □ CSA certification on request, with feeding line included.

Ia/In = ratio between start-up current and maximum current.