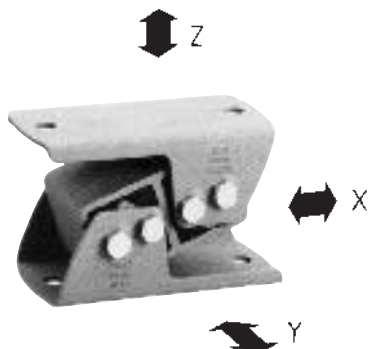
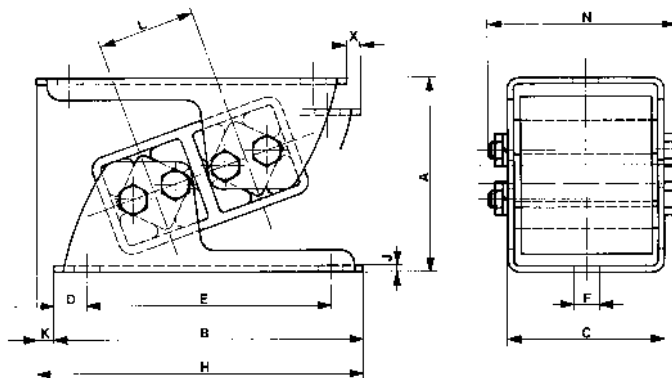


Anti-vibration Mounting

Type ESL



Multi-directional mount for compression, tension and shear loading



Art. No.	Type	Load in N on axes Z÷Z	A un-loaded	A max. load	B	C	D	E	ØF	H	J	K	L	N	X max.	Weight in kg
05021 001	ESL 15	- 400	54	44	85	49	10	65	7	90.5	2	5.5	25.5	58.5	1.54	0.36
05021 002	ESL 18	300-1200	65	52	105	60	12.5	80	9.5	110.5	2.5	5.5	31	69	1.87	0.62
05021 003	ESL 27	1000-2000	88	72	140	71	15	110	11.5	148	3	8	44	85.3	2.65	1.28
05021 004	ESL 38	1800-3500	117	93	175	98	17.5	140	14	182	4	7	60	117	3.62	3.40
05021 005	ESL 45	3200-6000	143	115	220	120	25	170	18	234.5	5	14.5	73	138	4.40	5.25
05021 006	ESL 50	5500-9000	165	134	225	142	25	175	18	240	6	15	78	163	4.73	10.00

The max. load on X÷X axes is the double value from Z÷Z axes.

The max. load on Y÷Y axes is 20% from Z÷Z axes.

Applications

For active and passive isolation of vibrations and maximum damping of solid-borne noise transmission in: weighbridges and scales, measuring systems, control equipment, rotary machinery such as compressors, refrigerating systems, blowers, pumps, mills, mixers, shock-absorbent buffers, etc.

For installation guidelines see

The elements must generally be installed in the same direction
 Fig. a) Dynamic forces longitudinal
 Fig. b) Dynamic forces lateral
 Fig. c) Wall mounting

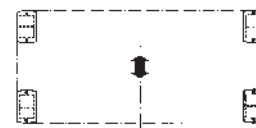


Fig. b

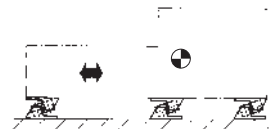


Fig. a

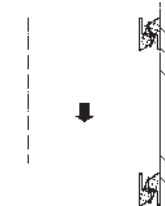


Fig. c

