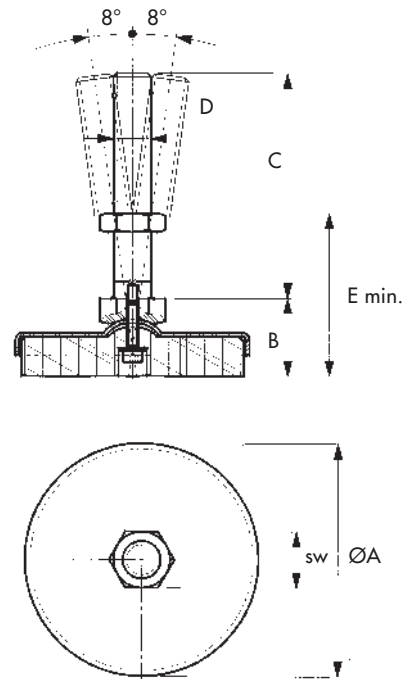




## Anti-vibration Mounting

## Type NOX

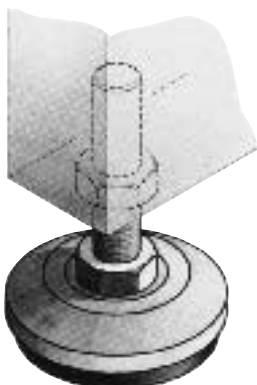


Art. No.	Type	Load in N	Natural frequency	A	B	C	D	E	sw	Weight in kg
05 080 002	NOX 70 M 16	- 4000	18-22	76	28	120	M 16	38	19	0.40
05 080 003	NOX 120 M 20	4000-12000	18-22	115	36	120	M 20	48	24	0.95

The ROSTA anti-vibration mountings types NOX 70 M 16 and NOX 120 M 20 have been developed especially for the food processing industry and the chemical process technology. Their levelling system is equipped with a spherical socket joint made of stainless steel DIN 1.4301/AISI 304 and is able to compensate a ground unevenness of up to 8°. The covering plate, which is made of the same material, is screwed to the levelling system and surrounds the oil- and

acid-resistant anti-vibration plate made of synthetic rubber material. The non-skid machine support with a natural frequency of 18 to 22 Hz offers best active vibration dampening and is thus very useful for supporting processing machines of various kinds such as mixing and stirring machines, filling plants, passing machines, mills, conveyors and kneading machines.

### Installation Guidelines



The levelling screw of the anti-vibration mounting type NOX should be fixed directly in the machine frame and adjusted from the side.

