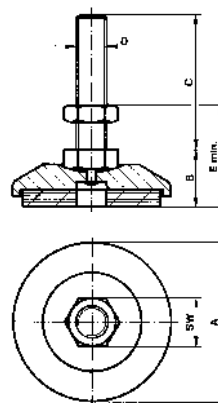
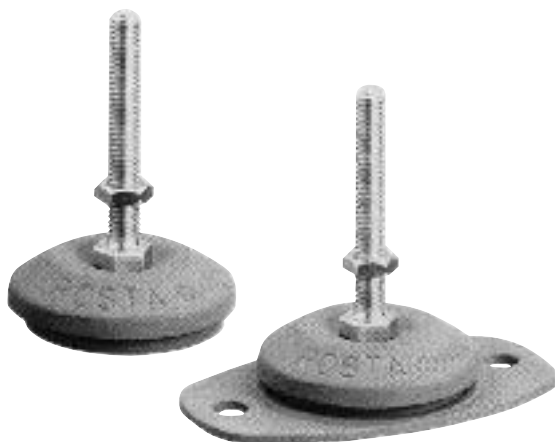


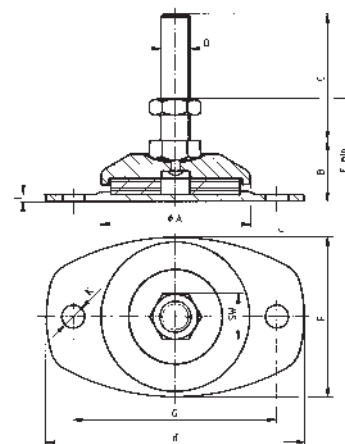


## Anti-vibration Mounting

## Type N/NP



Type N



Type NP

Art. No.	Type	Load in N	A	B	C	D	E	F	G	H	I	K	SW	Weight in kg
05 050 001	N 70 M12	- 2500	80	27	80	M12	36						19	0.50
05 050 002	N 70 M16	- 2500	80	30	120	M16	40						24	0.60
05 050 003	N 71 M16	2000 - 4000	80	30	120	M16	40						24	0.60
05 050 004	N 120 M20	2000 - 6000	128	36	120	M20	48						30	1.56
05 050 005	N 121 M20	5000 - 12000	128	36	120	M20	48						30	1.56
05 060 001	NP 70 M12	- 2500	80	30	80	M12	39	84	110	140	4	12	19	0.60
05 060 002	NP 70 M16	- 2500	80	33	120	M16	43	84	110	140	4	12	24	0.70
05 060 003	NP 71 M16	2000 - 4000	80	33	120	M16	43	84	110	140	4	12	24	0.70
05 060 004	NP 120 M20	2000 - 6000	128	40	120	M20	52	135	170	210	5	16	30	1.80
05 060 005	NP 121 M20	5000 - 12000	128	40	120	M20	52	135	170	210	5	16	30	1.80

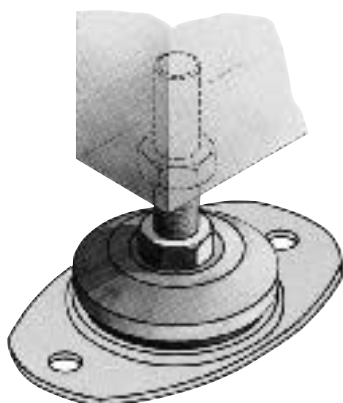
### Applications

For damping vibrations and solid-borne noise transmission in machinery and apparatus also requiring leveling, such as: air conditioning plants, woodworking machinery, pumps, transport systems, light tooling machines, assembly lines and workshop equipment.

### Remarks

These elements are identifiable by the dark blue isolating plate of the N70 and N 120 anti-vibration mountings and the light blue plate of the N71 and N 121 anti-vibration mountings.

### Installation Guidelines



Levelling screw should be fixed directly in the machine frame and adjusted from the side. The baseplate (type NP) allows a floor fixation in case of lateral motions.

