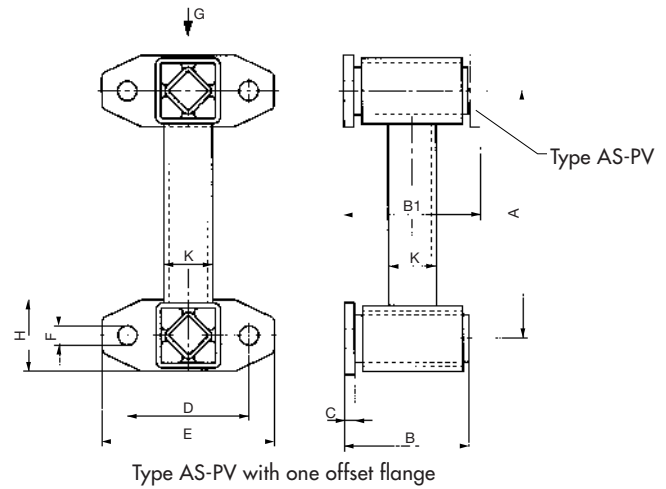




## Rocker Suspension

## Type AS-P



Art. No.	Type	G	$n_{err}$	sw	$c_d$	A	B	C	D	E	F	H	ØK	Weight in kg
07081 001	△ AS-P 15	100	1200	17	5	100	50	4	50	70	7	25	18	0.54
07081 002	AS-P 18	200	1200	21	10	120	62	5	60	85	9.5	35	24	0.81
07081 003	AS-P 27	400	800	28	12	160	73	5	80	110	11.5	45	34	1.79
07081 004	AS-P 38	800	800	35	19	200	95	6	100	140	14	60	40	3.57
07081 005	△ AS-P 45	1600	800	35	33	200	120	8	130	180	18	70	45	5.52
07081 006	△ AS-P 50	2500	600	44	38	250	145	10	140	190	18	80	60	8.27

Art. No.	Type	G	$n_{err}$	sw	$c_d$	A	B1	C	D	E	F	H	ØK	Weight in kg
07091 001	△ AS-PV 15	100	1200	17	5	100	56	4	50	70	7	25	18	0.54
07091 002	AS-PV 18	200	1200	21	10	120	68	5	60	85	9.5	35	24	0.81
07091 003	AS-PV 27	400	800	28	12	160	80	5	80	110	11.5	45	34	1.79
07091 004	AS-PV 38	800	800	35	19	200	104	6	100	140	14	60	40	3.57
07091 005	△ AS-PV 45	1600	800	35	33	200	132	8	130	180	18	70	45	5.52
07091 006	△ AS-PV 50	2500	600	44	38	250	160	10	140	190	18	80	60	8.27

G = max. loading in N per suspension  
 $n_{err}$  = max. frequency in  $\text{min}^{-1}$  at  $\pm 10^\circ$ , from zero  $\pm 5^\circ$   
 sw = max. amplitude in mm  
 $c_d$  = dynamic spring value in N/mm  $\pm 5^\circ$ , in frequency range 300–600  $\text{min}^{-1}$   
 Suspensions for higher loads available on request

△ available on request

### Material Structure

Rocker arm made out of welded steel structure; inner square and fixation flange in steel.

### Guidelines for Fitting

The rocker angle  $\beta$  of the rocker suspensions is  $10^\circ$  to  $30^\circ$  according to the experience, depending largely on the conveying performance and the material to be moved. To secure optimal performance the troughs, screens etc. must be designed stiff and rigid. If the available space does not allow the suspensions to be fitted from the side, they may also be placed between the trough and the base frame using fitting parts to be produced by the customer.

